

Project Name: _____
 Location: _____
 Engineer: _____
 Submitted to: _____
 Submitted by: _____
 Reference: _____

Approval: _____
 Date: _____
 Construction: _____
 Unit #: _____
 Drawing #: _____

Performance

Indoor Unit Model No: FXHQ36MVJU
Cooling Capacity (Btu/hr): 36000
Sensible Capacity (Btu/hr): 25100
Cooling Input Power (kW): 0.161
Heating Capacity (Btu/hr): 40000
Heating Input Power (kW): 0.161
Nominal Ext Static Pressure (inH2O): 0
Max Ext Static Pressure (inH2O): 0

Indoor Unit Type: Ceiling Suspended
Cooling Nominal Conditions Indoor: 80°F DB/67°F WB
 Outdoor: 95°F DB/75°F WB
Heating Nominal Conditions Indoor: 70°F DB/60°F WB
 Outdoor: 47°F DB/43°F WB
Nominal Piping Length 25
Nominal Height Separation 0

Indoor Unit Details

Power Supply (V/Hz/Ph): 208-230/60/1ph
Power Supply Connections: L1, L2, Ground
Min. Circuit Amps MCA (A): 1.4
Max. Fusible Amps MFA (A): 15
Dimensions (HxWxD): 7-11/16x62-5/8x26-3/4
Panel (HxWxD): N/A
Net Weight (lbs): 90
Weight with Panel (lbs): _____

Airflow Rate (CFM wet coil) 830//670
Moisture Removal (pt/h): _____
Gas Pipe Connection (inch): 5/8
Liquid Pipe Connection (inch): 3/8
Condensate Connection (inch): 1
Sound Pressure Level (dBA): 46
Sound Power Level (dBA): _____

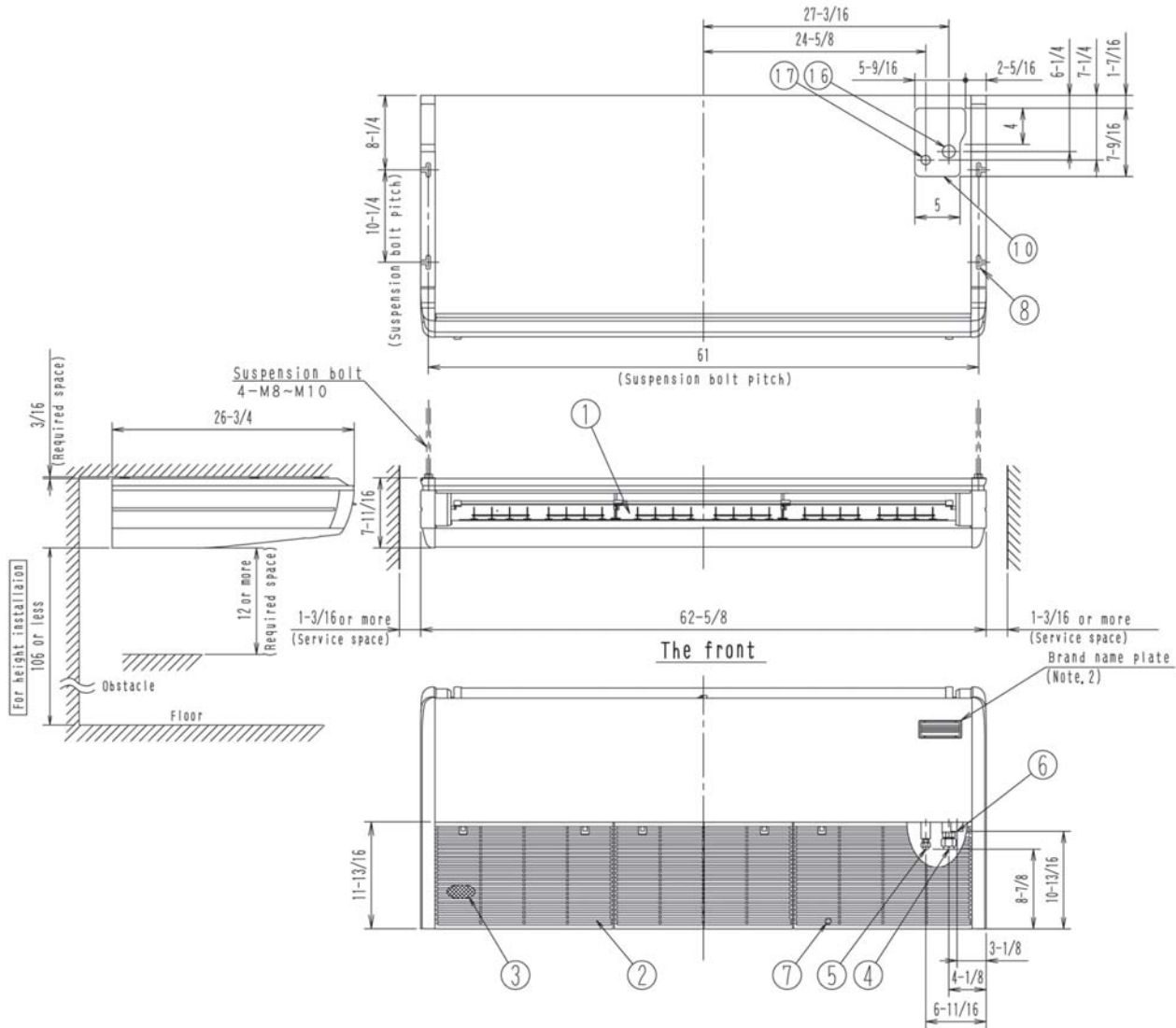
Appearance - Indoor Unit



Project Name: _____
 Location: _____
 Engineer: _____
 Submitted to: _____
 Submitted by: _____
 Reference: _____

Approval: _____
 Date: _____
 Construction: _____
 Unit #: _____
 Drawing #: _____

Dimensional Drawing - Indoor Unit



Project Name: _____
Location: _____
Engineer: _____
Submitted to: _____
Submitted by: _____
Reference: _____

Approval: _____
Date: _____
Construction: _____
Unit #: _____
Drawing #: _____

Notes

Std U.S. Warranty: 6yrs Compressor, 1yrs Parts, 1yr Limited Labor